



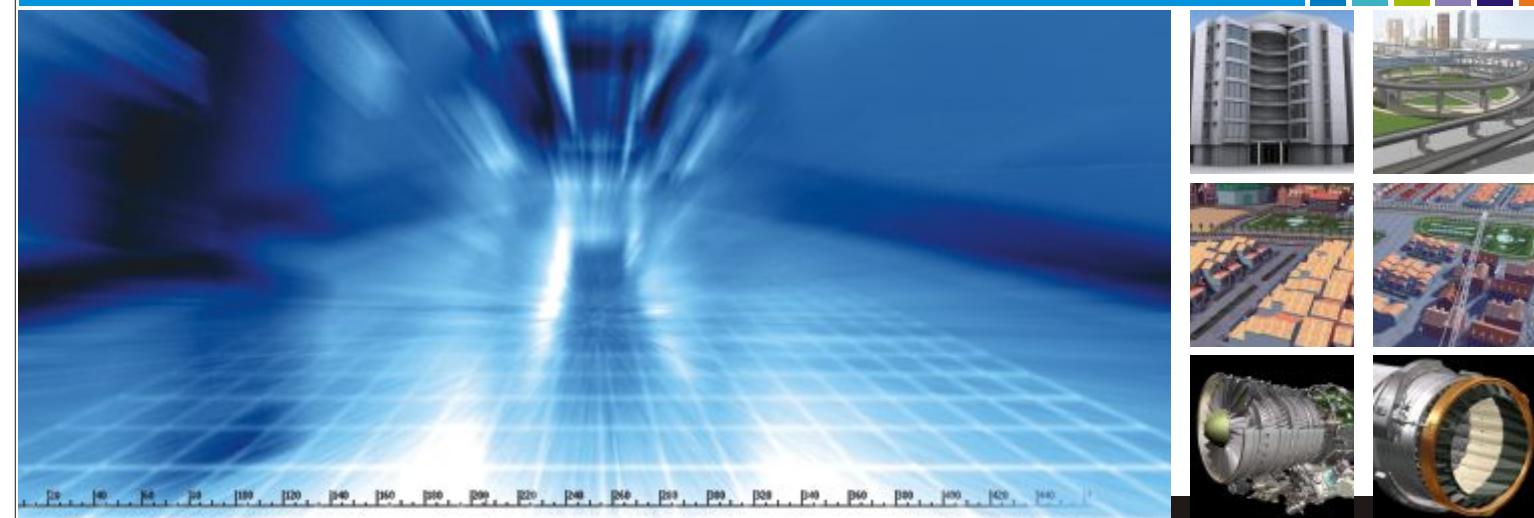
SERIOUS GAMING

“Encore Interactives is a 3D art and animation production company providing efficient design, development and production resource solutions to the game industry. Our specialized professional go over on each project to make it more unique respectively.

Our personnel are experienced in 3D modeling and digital Terrains. Using various 2D drawings and our standard library of enabling 3D modeling and simulation tools.”

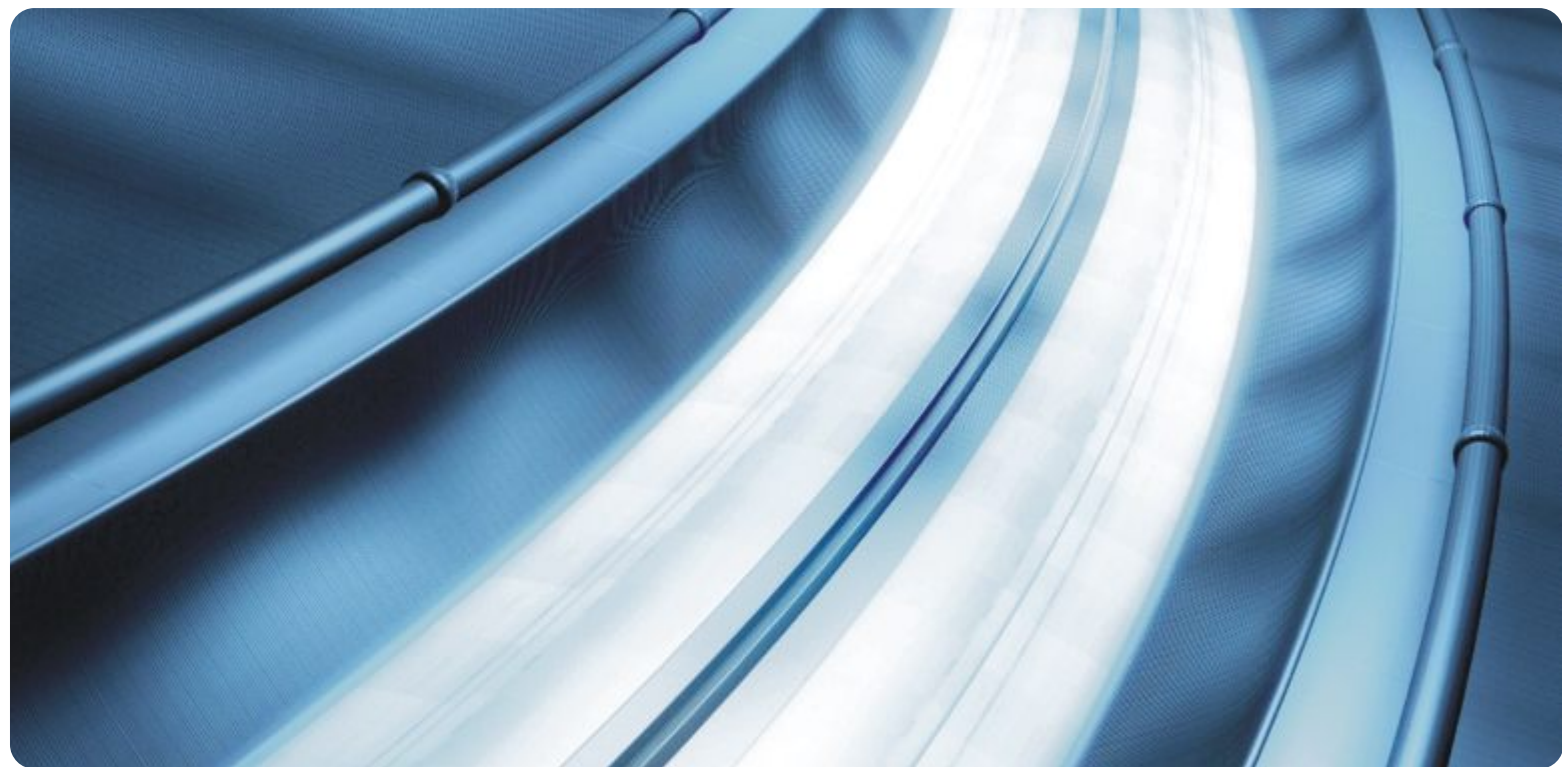
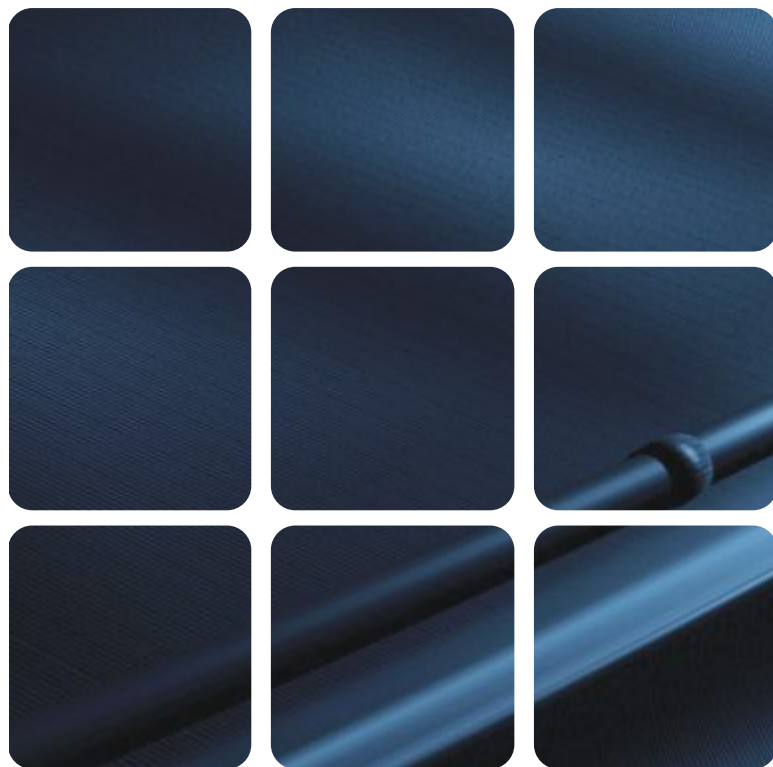


SYNCHRONIZED DIMENSIONS BY EMERGING HORIZONS



A B O U T U S

To find out more about what Encore Interactives can do for you, visit us at www.encoreinteractives.com
or contact us by
e-mailing at info@encoreinteractives.com or
archi.renderings@encoreinteractives.com
Toll Free Number:866-553-8234



ENCORE INTERACTIVES

Mechanical Rendering —
Architectural Rendering —
Serious Gaming —
Digital Terrians —
Computer-Based Training —
Multimedia Solutions —

“ Encore Interactives is the premiere provider of your absolute graphical needs!

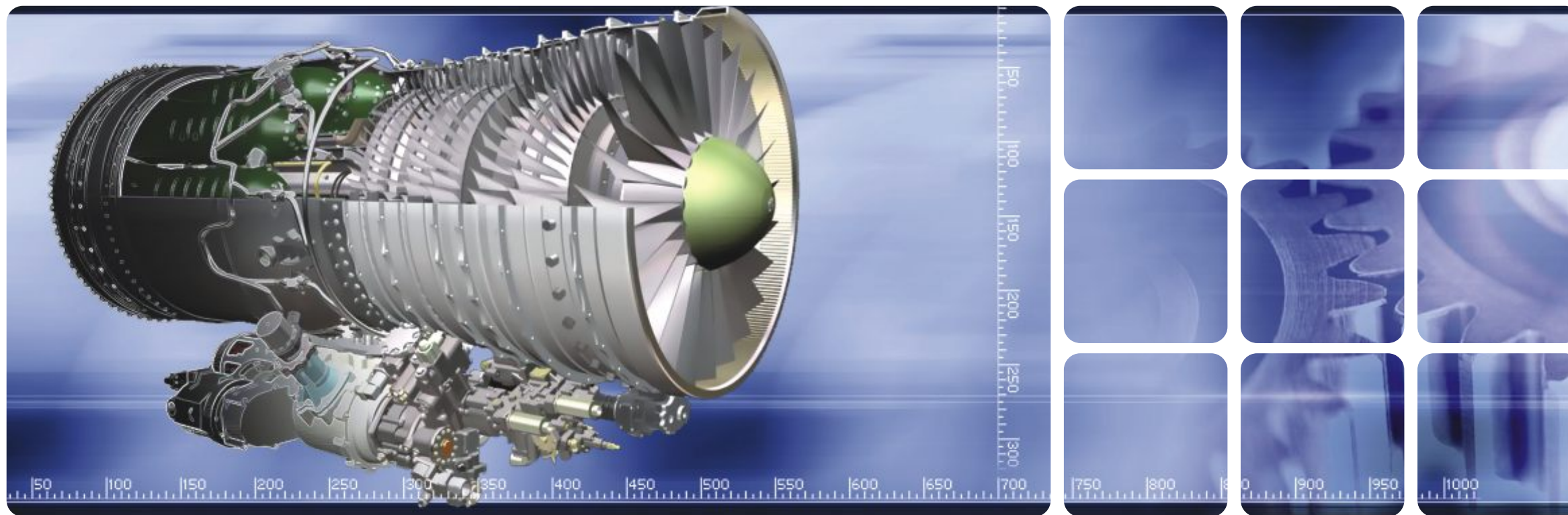
We are involved in various aspects of the 3D visualization industries, including architectural, engineering, gaming, construction and other industries. Our focus lies on creating realistic visualization and easy interpretation of a project through 3D modeling and the digital publishing and distribution of that information.

Images, 3D Renderings and animations that we create, are transformed to web sites and multimedia CD-ROM to aid our clients in marketing, managing and designing their product or project to the full potential.



**SYNCHRONIZED
DIMENSIONS
BY
EMERGING
HORIZONS**





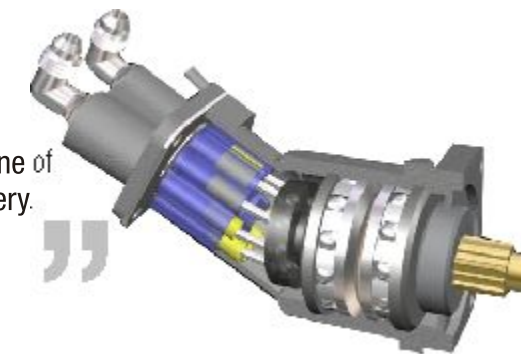
MECHANICAL RENDERING

“ Mechanical Rendering enables improved communication and collaboration between separate working groups such as mechanical engineers and control system engineers. With the ability to model both mechanical systems and their controllers in Simulink, the time and expense to build controllers for mechanical systems is dramatically reduced. ”



“ By using Rendering, engineers can analyze their designs early in the design cycle, allowing them to evaluate the performance of the system, make adjustments, and eliminate problems before committing to a detailed design. 3D Rendering allows engineers to model and simulate their designs at the beginning of the design cycle. ”

“ We can take a job from concept to the final product. We specialize in developing three dimensional conceptual designs and images for mechanical parts and new products for all markets. We have developed the discipline of a creative thinking process focused on quality and delivery. ”



“ What our design ideas represents is value, professionalism, commitment to quality, and most importantly, outstanding customer service. We take pride in being very client-focused, and try our very best to ensure your active participation in the process. We always pay strong attention to your input, ideas and concepts. ”





ARCHITECTURE RENDERING

“ The experienced team of Encore Interactives is formed with the intention of defining unique and specific horizons in the 3d Architectural field.

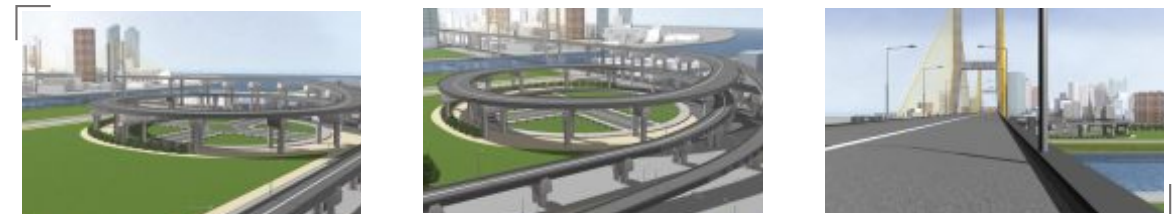
Our experienced team develops customized solutions for each of our clients, depending on their specific communication needs. Open collaboration between our clients and us during the design phase produces quality architecture that exceeds their expectations and challenges traditional thinking.

”



“ At Encore Interactives, we research and develop from scratch all the creative communications to ensure that the idea is applicable and effective marketing solution for our clients. We foster balance by giving our entire staff the freedom to transcend expected roles.

”



“ You won't deal with narrowly focused specialists, but with people who grasp the ramifications of everything we do, at every stage. We create buildings that flow organically from the needs of those who live and work in them.

”



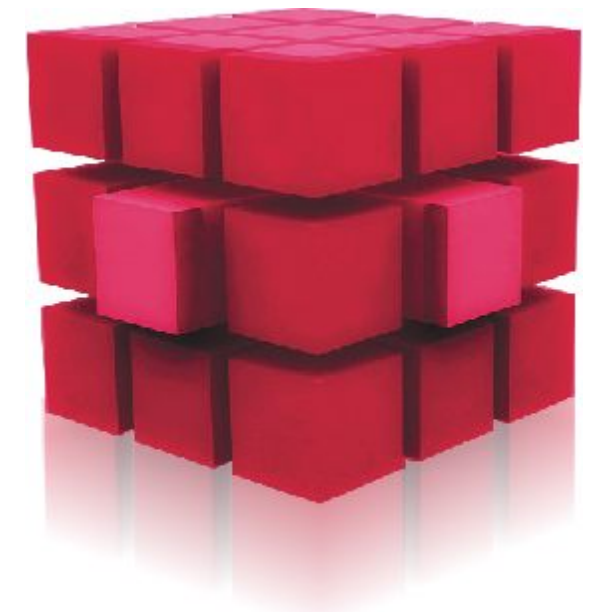
3D ANIMATION

“ We provide highly detailed 3D animations for your web page and multi-media presentations. Our animations are created from original work using various professional softwares (3ds Max, Maya and After Effects) Broadcast quality & web streaming packages. ”



“ Our competent 3D designers are technically oriented in carefully evaluating each product to ensure optimum performance and clarity for the internet. We provide a more compelling representation with a walkthrough video or fly-by animation. ”

“ Architectural animation improves the sense of scale and gives a better appreciation of space for both interior and exterior visualizations. Day/night transition animations may be used to visualize lighting effects. Comprehensive modeling and animation services are available for illustrating environmental dynamics. ”





COMPUTER BASED TRAINING (CBT)

“ Computer-Based Training (CBT) is a general term used to describe the delivery of training media to your employees/students using a computer or projector and in some cases via the Internet. CBT can take on many forms, from simple text-based content to fully interactive 3D graphics. We are specialized in CBT software which is a unique and effective way to either communicate within your organization or it will serve the purpose of training for your employees.

No single individual can create high quality CBT software. The skill sets and mindsets involved are too varied, the technology moves too quickly, and the project scope is (generally) too large. For this reason, Encore Interactives has brought together a group of professional managers, designers, programmers, and coders. We assemble a custom team for each project, sometimes utilizing strategic partners across the state and across the country. With the team of qualified professionals our company has the ability to reflect the expertise and professional aesthetics that is required for your project. The team of professionals possesses vision in different aspects of IT industry targeting the local and international market.

Our team consists of experts in their related fields. We are absolutely capable of converting your imagination into a man made creation.

CBT is a cost effective source, this is one of a new way to cut the unnecessary spending on each employee. CBT will serve the purpose for an entire group or organization. ”

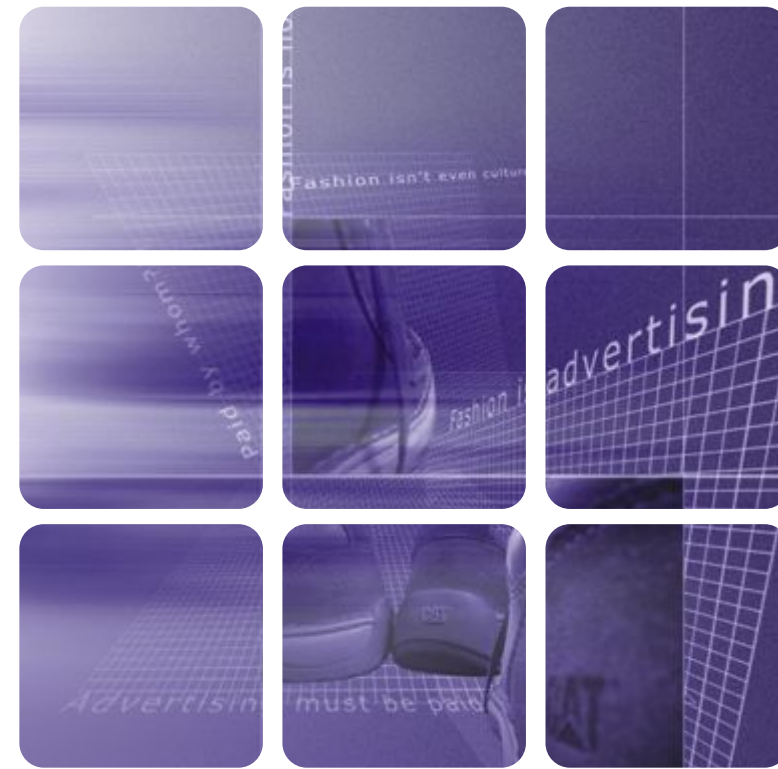
CBT GIVES YOU AND YOUR EMPLOYEES FLEXIBILITY TO USE IT WHENEVER AND WHEREVER NEEDED.

“ We can take a job from concept to the final product. We specialize in developing three dimensional conceptual designs and images for mechanical parts and new products for all markets. We have developed the discipline of creative thinking process focused on quality and delivery.

What our design Idea represents is value, professionalism, commitment to quality, and most importantly, outstanding customer service.

We take pride in being a very client-focused, and try our very best to ensure your active participation in the process. We always pay strong attention to your input, ideas and concepts. ”





GRAPHIC & WEB DESIGN

“ Creative ideas, talented, experienced team and strong knowledge of existing market and cutting edge multimedia requirements are one thing but what makes us unique in our field is our ability to understand and apply all of these things through the correct methodology which ensures that we are going to create a “stunning success” at the end.. ”

“ By creating user friendly interfaces and abstract designs for your website, we create strong relationship between you and your customers, which ultimately helps you to enhances your business reducing time and cost. ”



**OUR PROJECTS
SPEAK OUT
OUR CAPABILITIES**



“ We have a great combination of brilliant ideas, extensive market analysis, hard-working and talented team members, which will create something special, dazzling and appealing to attract customers towards your particular business. ”